

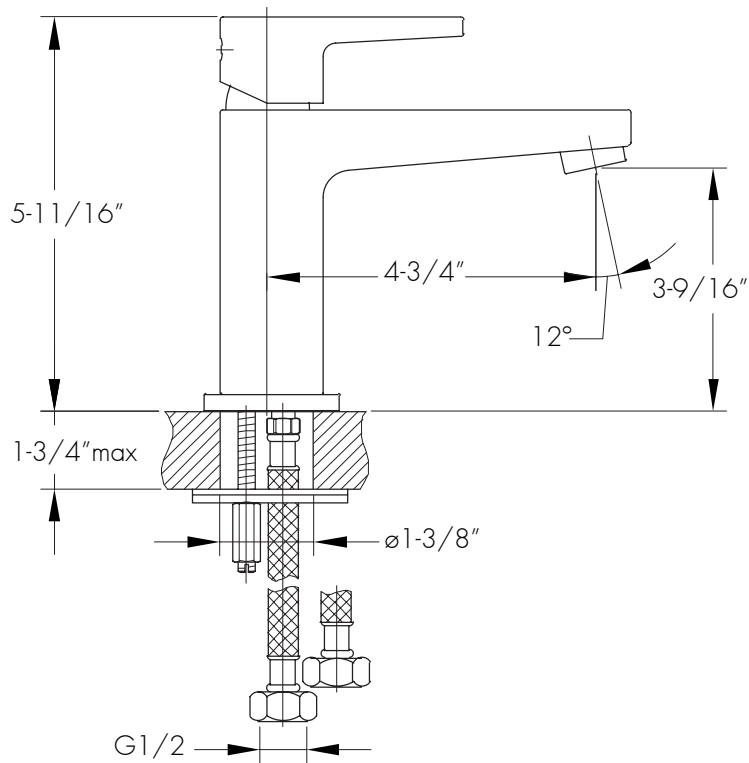


DAX-8209



BATHROOM FAUCETS SERIES





## FEATURES

- Single lever
- Ceramic cartridge
- Brass body
- Flow rate 1.2 GPM
- Installation hole 1-3/8"
- Hoses and mounting parts included
- Pop up drain not included (available)
- Chrome finish



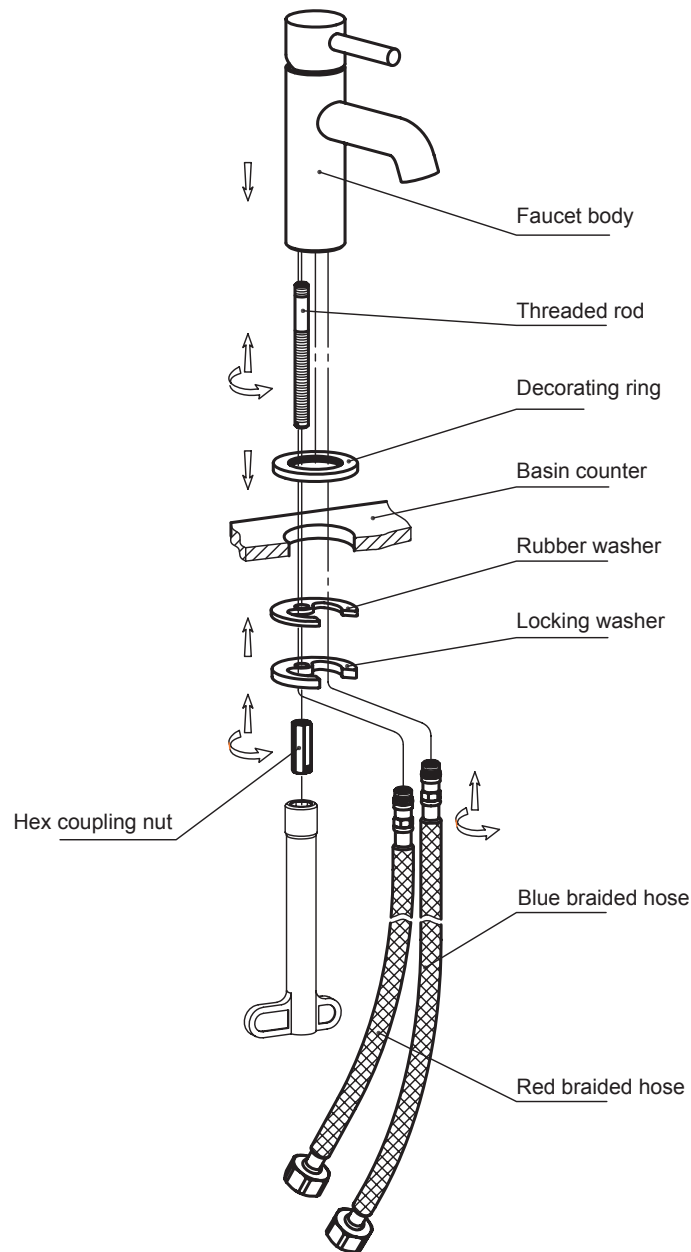




BATHROOM FAUCET **DAX-8209**

MODEL	DAX-8209-CR
ADA	NO
UPC APPROVED	NO
ANSI APPROVED	NO
ASME APPROVED	NO
WATERSENSE CERTIFIED	NO
NSF APPROVED	NO
CONNECTION SIZE	G3/8
FAUCET HOLE SIZE	1-5/16"
FAUCETS HOLE	Single hole
FAUCET TYPE	Basin Mixer
FLOW RATE (GPM)	1.2 GPM at 60 PSI
HANDLE STYLE	Single lever
NUMBER OF HANDLES	1
INSTALLATION TYPE	Deck mounted
MATERIAL	Brass body + zinc handle
FINISH	Chrome
SPOUT SWIVEL	NO
SPOUT TYPE	Casting spout
CARTRIDGE TYPE	Ceramic Mixer
POP-IP INCLUDED	NO
MAX DECK THICKNESS	1-3/4" max



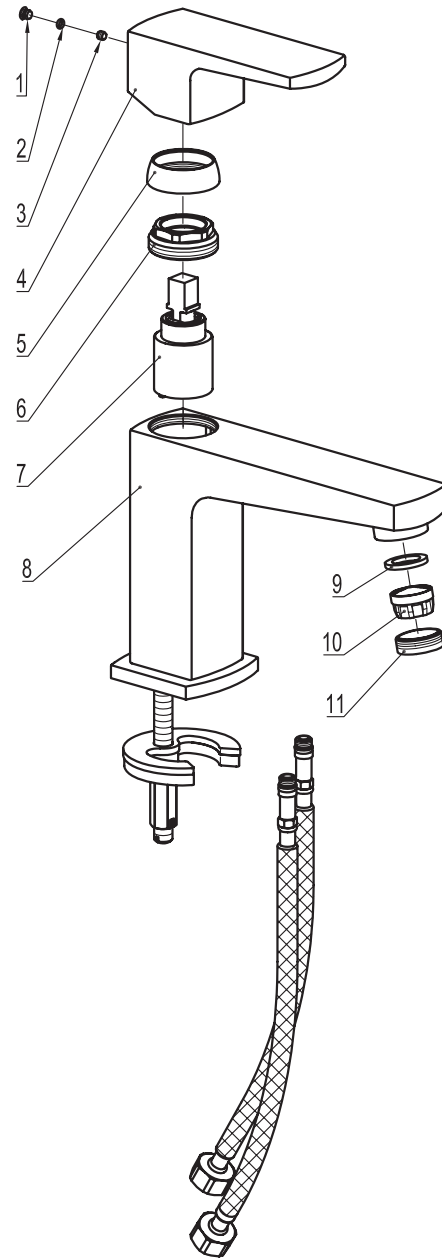


### INSTALLATION STEPS

1. Connect red and blue braided hoses and threaded rod to faucet body tightly.
2. Pass faucet body with decorating ring through hole of basin counter, pad rubber washer and locking washer in turn, tighten with hex coupling nut.
3. Connect red and blue braided hoses with triangle valves. Note: position as hot left and cold right.
4. Run water to check if the installation is qualified.



DIAGRAM NUMBER	DAX SKU	TITLE DESCRIPTION
1	FH D38A-02	Decoration cap
2	MF 0615	Ø3x 1.5 O-ring
3	FH TJ-30504	M5x4 hexagon socket cone point set screw
4	FH D53-01A	Handle
5	FH DB-08	Decorative ring
6	FH DB-07A	Locknut
7		Ø25 cartridge
8		Faucet body
9	FH 2123-28	Spout washer
10	FH TQ-07G	M22 aerator
11	FH TQ41-02	Spout inner collar



For parts or sale requirements please contact our customer service department:

 [CS@daxib.com](mailto:CS@daxib.com)

 1 888 685 8236